

How To Cut Shims: Hercules System

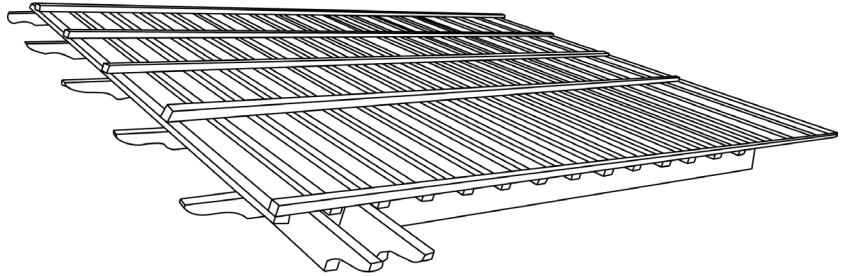


Why Shims?

Shims add the proper amount of slope to a pergola, so when your SkyPoly system is installed it functions properly to guard against leaks. You can create shims to fit any pergola, regardless the size or shape.

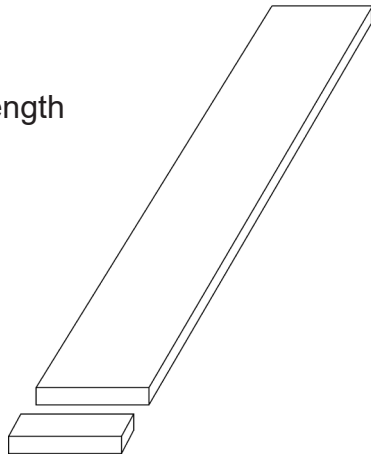
Board Dimensions *(Based on pergola length)*

- 12' and less:** Use a 2"x4" board
- 12' to 20':** Use a 2"x6" board
- Over 20':** Use a 2"x8" board



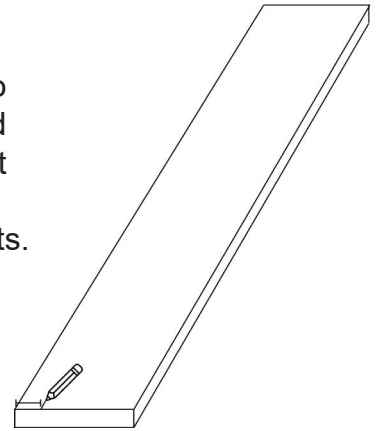
1

Cut the board to the length of the pergola.



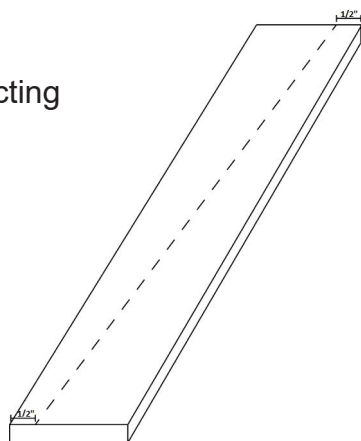
2

Measure 1/2" from left to right on top end of board and 1/2" from right to left on bottom end of board. Mark both measurements.



3

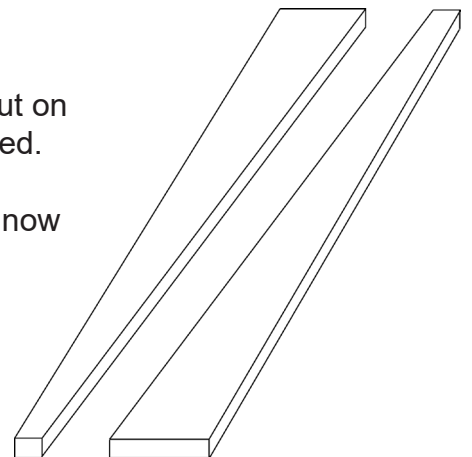
Pop a chalk line connecting your two markings.



4

With a circular saw, cut on the line you just marked.

From one board, you now have two shims!



Scan the QR code to watch a shim cutting tutorial.

Dallas: 972.354.3191
Austin: 512.836.3629

San Antonio: 210.599.8291
Oklahoma City: 405.506.0112

Houston: 713.957.8541
Miami: 786.697.3424