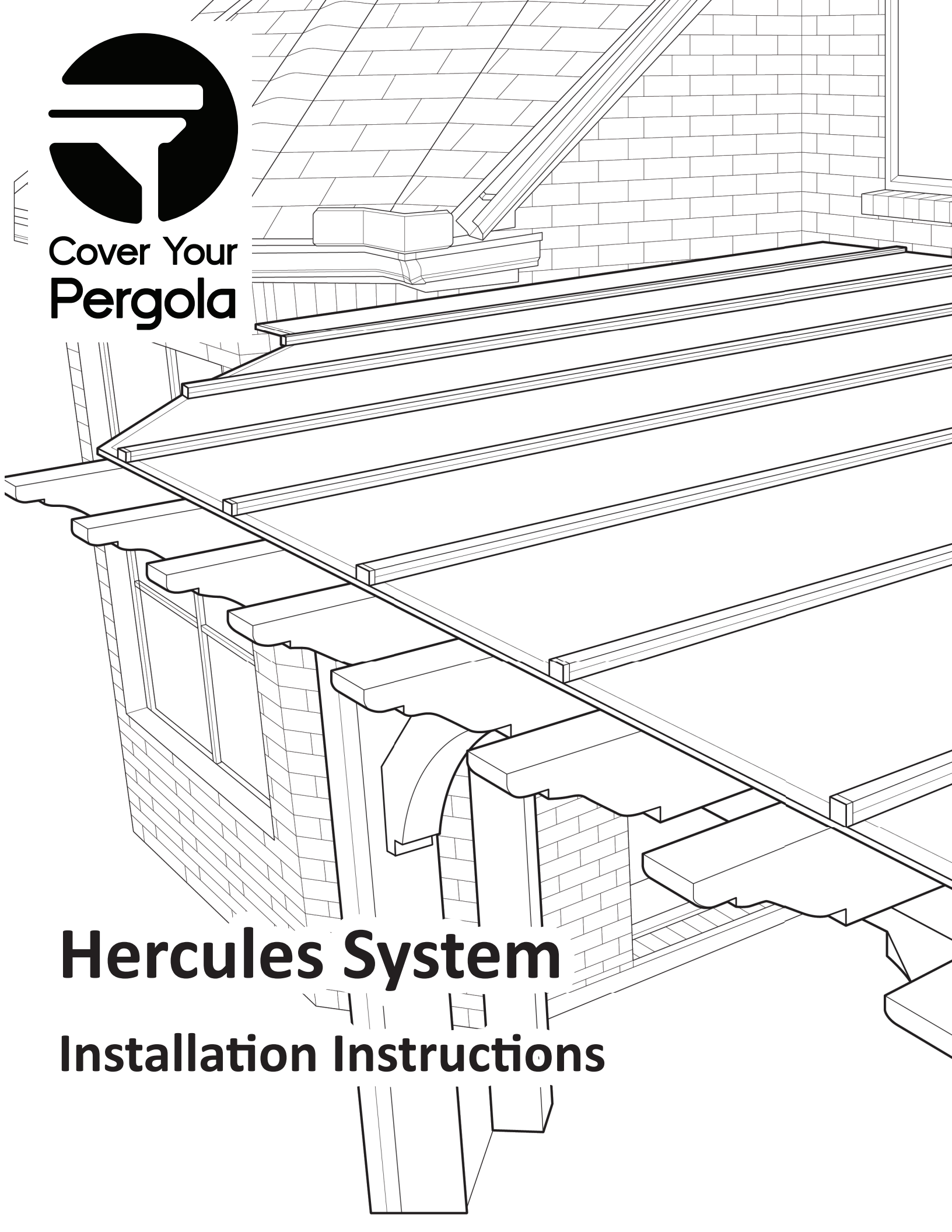


Cover Your
Pergola



Hercules System

Installation Instructions

Pro-Tip

- *Protect sheets from sunlight. The film masking can be baked onto the sheet.*
- Cover the open flutes from rain, sprinklers, and dust.
- Protect sheets on site from damage and dents.

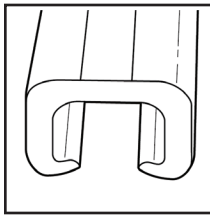


Scan Code
for Installation
Video

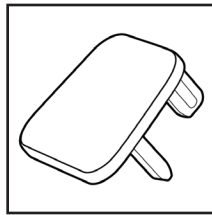
Exact measurements for width of sheets

** Aluminum U-profile adds 1/2"

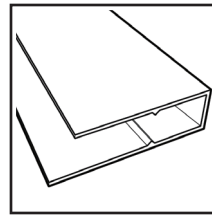
1 panel wide	1' 11-5/8"	8 panels wide	15' 9"	15 panels wide	29' 6-3/8"
2 panels wide	3' 11-1/4"	9 panels wide	17' 8-5/8"	16 panels wide	31' 6"
3 panels wide	5' 10-7/8"	10 panels wide	19' 8-1/4"	17 panels wide	33' 5-5/8"
4 panels wide	7' 10-1/2"	11 panels wide	21' 7-7/8"	18 panels wide	35' 5-1/4"
5 panels wide	9' 10-1/8"	12 panels wide	23' 7-1/2"	19 panels wide	37' 4-7/8"
6 panels wide	11' 9-3/4"	13 panels wide	25' 7-1/8"	20 panels wide	39' 4-1/2"
7 panels wide	13' 9-3/8"	14 panels wide	27' 6-3/4"		



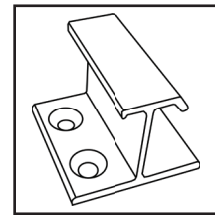
Sheet Connector



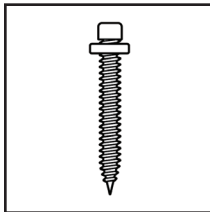
End Cap



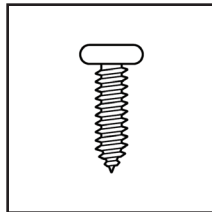
Edge U-Profile



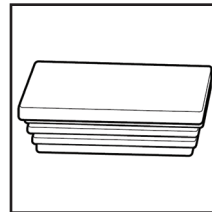
Metal Clip



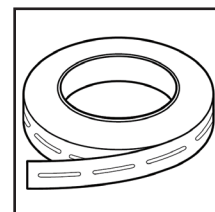
Edge Profile Screw
2" Wood Screw



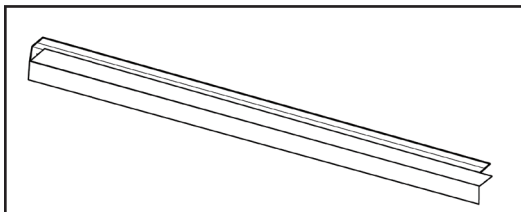
Screw for Metal Clip
1-1/4" Countersunk Head



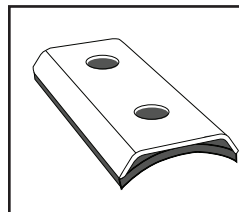
Corner Edge Plug



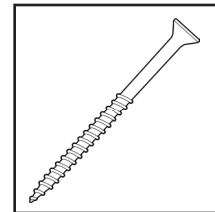
Vent Tape



Flute Cover 23 5/8"

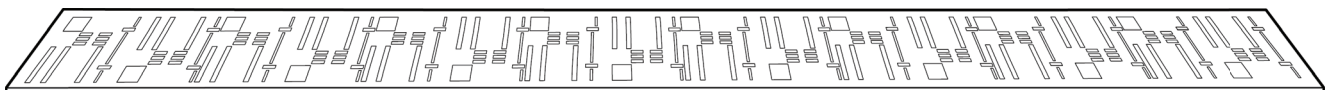


Anchor Washer



3" Anchor Screws

Sheet



TOOLS NEEDED FOR INSTALLATION

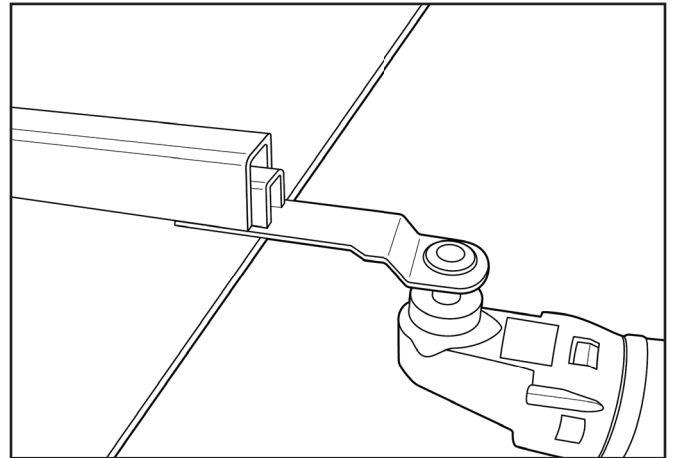
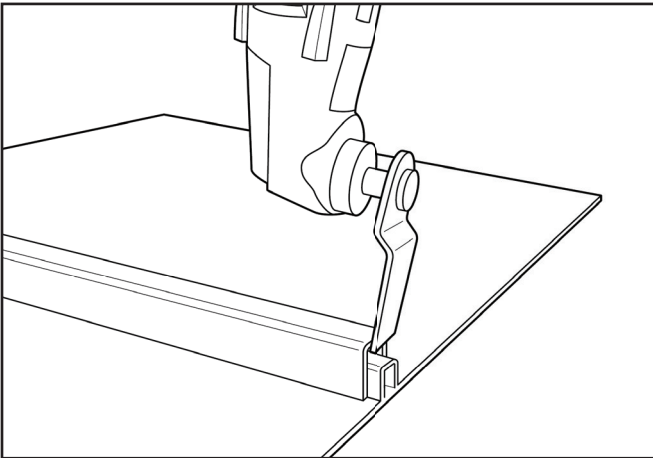
To cut the Length and Width of the sheets:

- CIRCULAR SAW -or- TABLE SAW -or- COMMERCIAL JIGSAW
- Carbide Bit Fine Tooth Panel Blade (8-12 teeth per inch)

Additional Tools Needed:

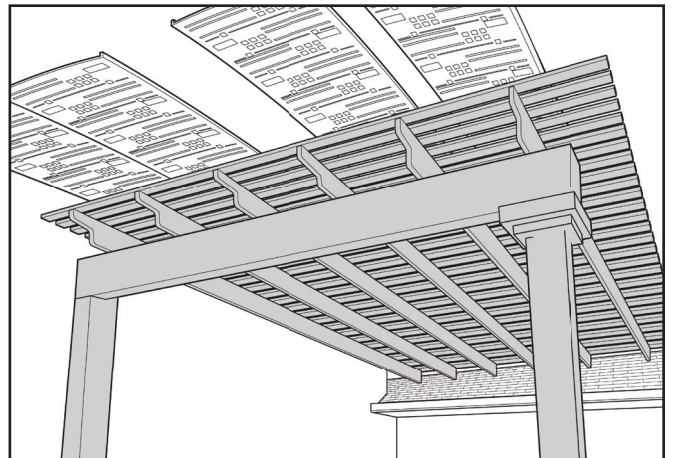
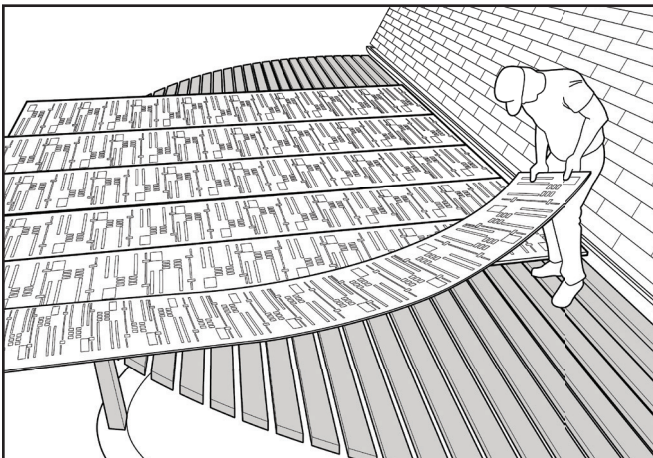
1. Electric Drill (3/16", 1/4", and 3/8" drill bits)
2. Rubber Mallet
3. Tape Measure
4. Putty knife
5. *Oscillator Tool

*If needed, it is good to have an oscillator tool (or multi-tool). Sometimes connector caps aren't long enough to cover the space where seams of sheets meet. This allows you to cut sheets so end cap can be put on.



Pro-Tip

Wait until after the sheets are installed to cut to the correct length. This ensures an even edge even if your pergola is curved or not perfectly square.



STRUCTURE REQUIREMENTS

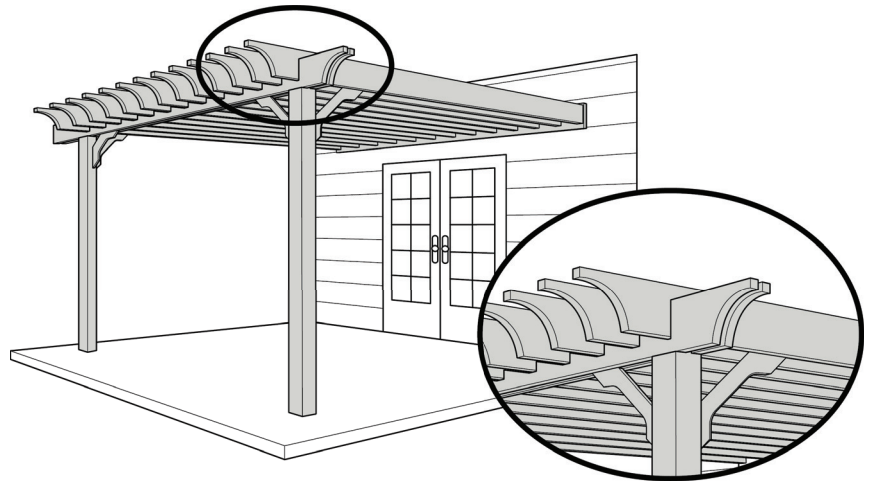
We recommend at least 0.25" of slope for every 12" of structure length



Joists (Rafters)

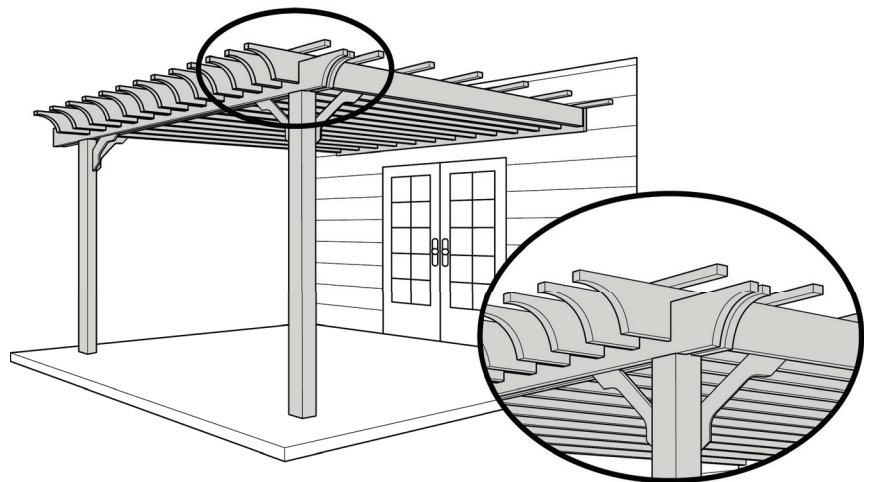
The width of the Hercules panels cannot be cut down, so if the joists are the incorrect distance apart, you will have to remove them and re-install at the exact sheet width.

If you are installing on this type of structure, speak to a sales rep before beginning.



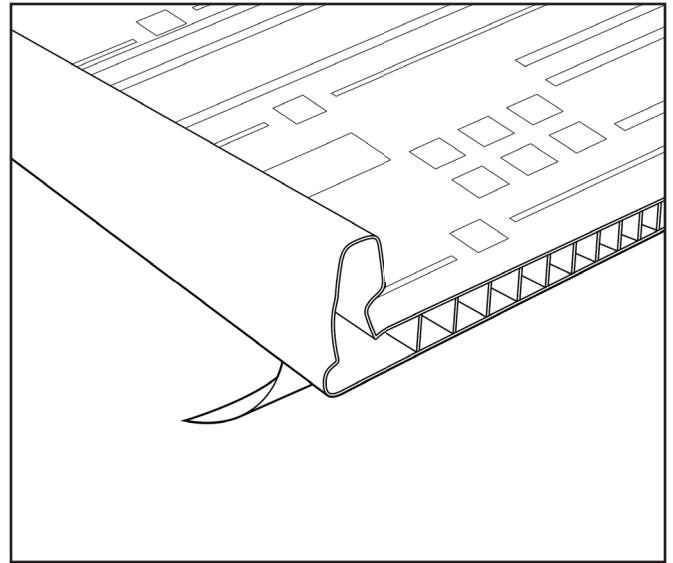
Shade Slats (Purlins)

Maximum distance between stripping is 36"

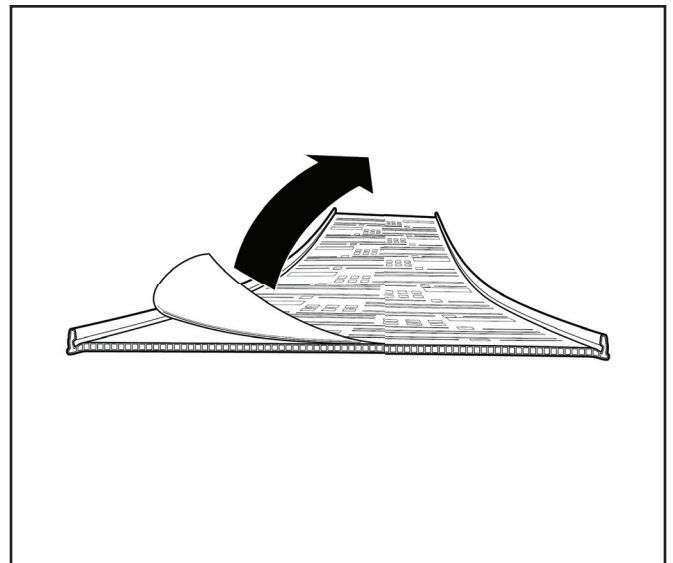


1. Remove the Protective Film from the Bottom Side of Sheet

Wait to remove the top film until after install.

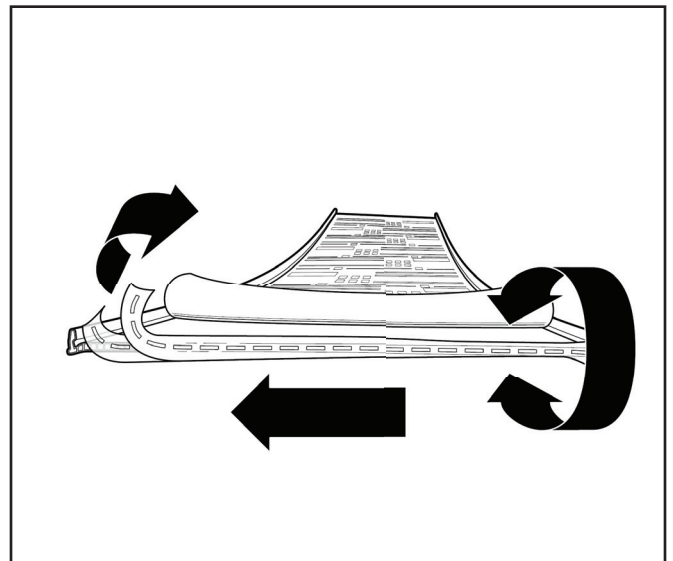


2. Peel back top film 2"



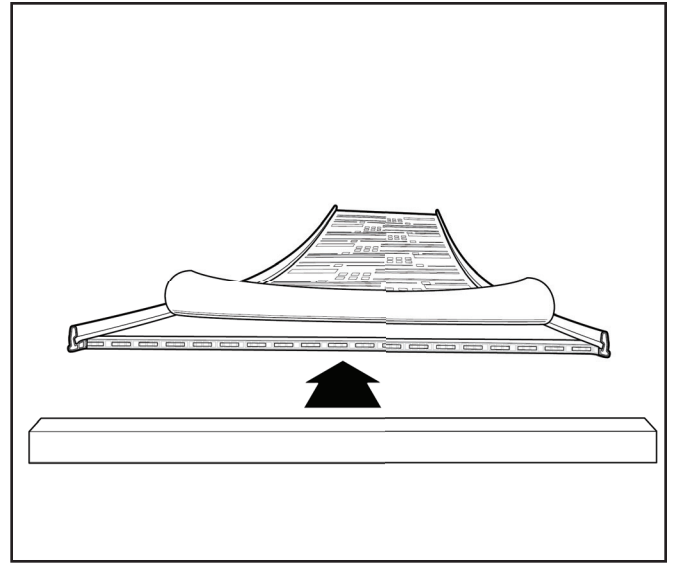
3. Apply Vent Tape Over the Flutes

Apply vent tape to the end of the sheet that will be at higher elevation. Center the white rectangular vents on the edge of the sheet, and then, smooth the edges of the tape on the top and bottom of the sheet. You will apply the tape to the other end after the sheet is installed and cut to size.



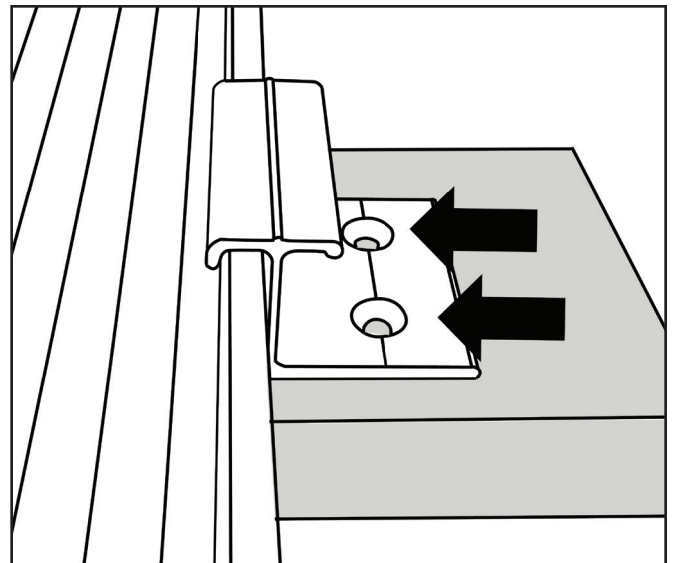
4. Prep the Sheets

Install flute covers over the vent tape.



5. Install the First Panel

Install clips directly to the structure on stripping or shade slats using metal clip screws.



Pro-Tip

Remember! No screws will be installed through the Hercules sheets.

A. Begin by positioning the first sheet at the center of your pergola structure. Determine if you will be using an odd or even number of sheets to cover your pergola.

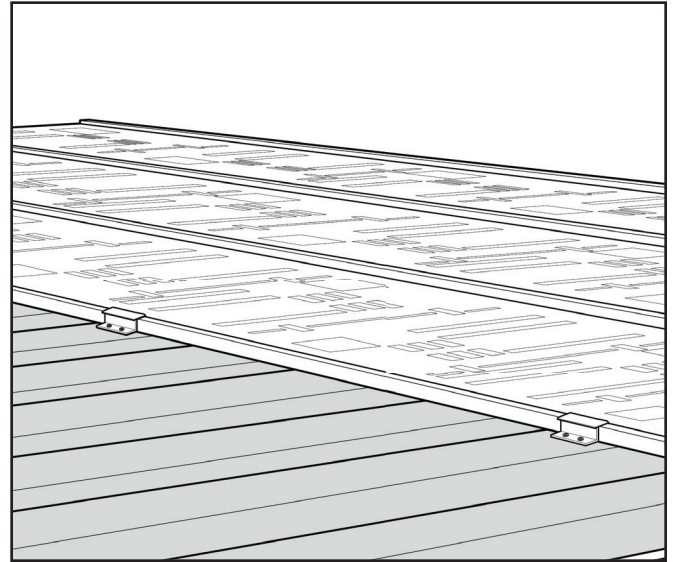
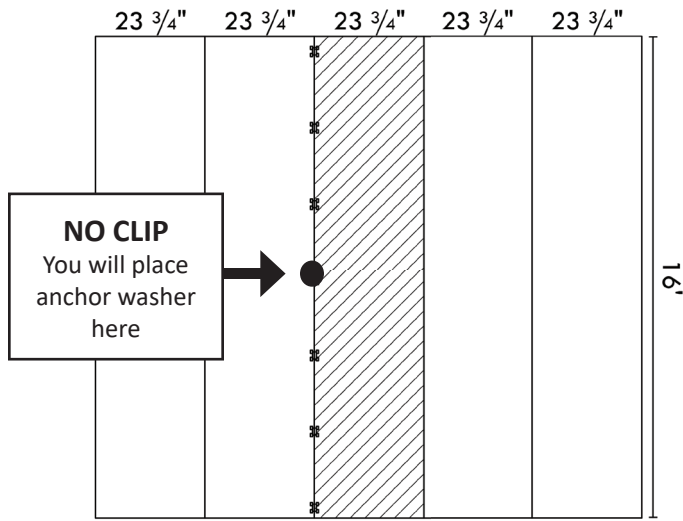
- **Even number of sheets:** Place the clips down the centerline of the pergola.
- **Odd number of sheets:** Center the sheet itself directly over the centerline.



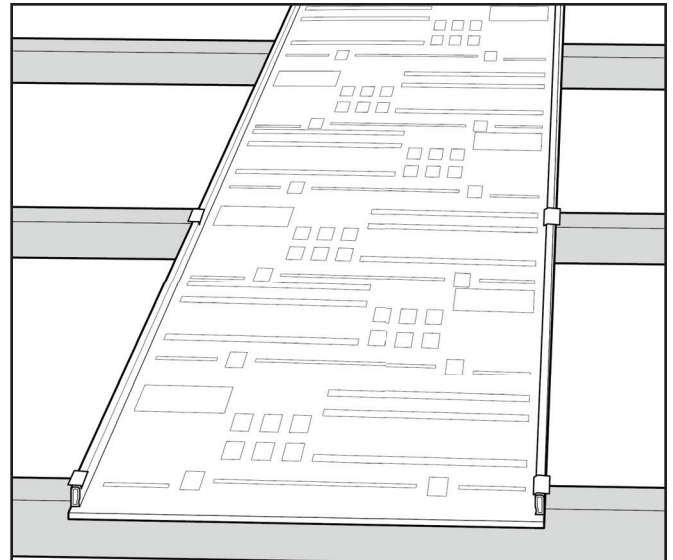
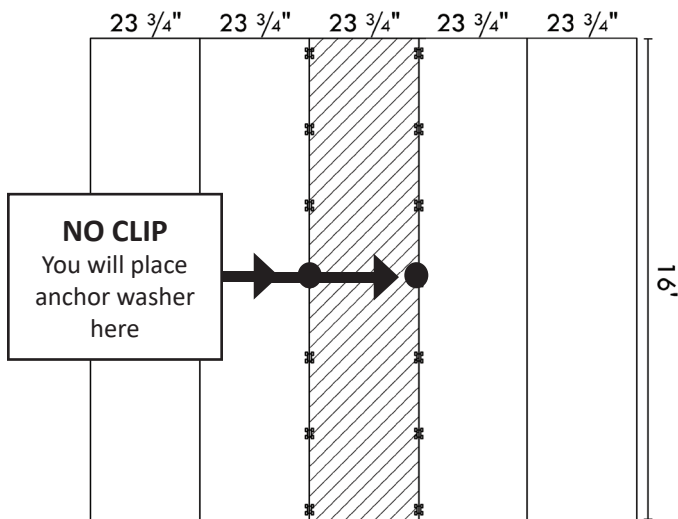
Scan code for more info.

Place the flute cover/vent tape prepped end of the sheet at the highest elevation (top) of your structure. This will most often be the side closest to the house. It will be impossible to add the flute cover / vent tape after installation, and skipping this will lead to water in the sheets. Install the sheet square, not at an angle.

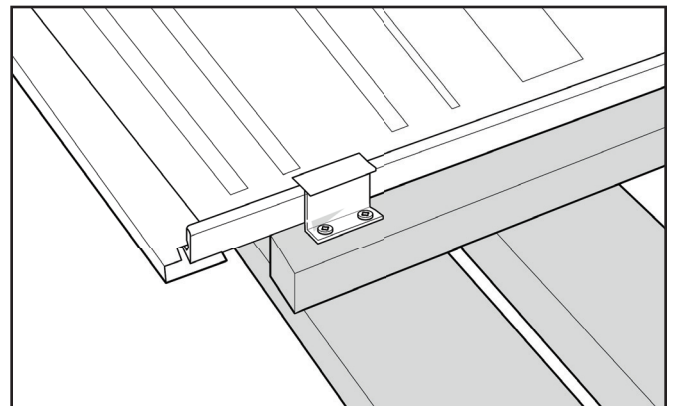
- B.** Fasten the sheet to stripping or shade slats using metal clips spaced minimum 24" or max 36" apart (see below). If clips are placed less than 24", you will be short clips. You will not place a metal clip halfway down the seam. See below. This is where you place the anchor washer after the sheets are placed.



- C.** Clips will be attached to BOTH sides of the first sheet (see right).

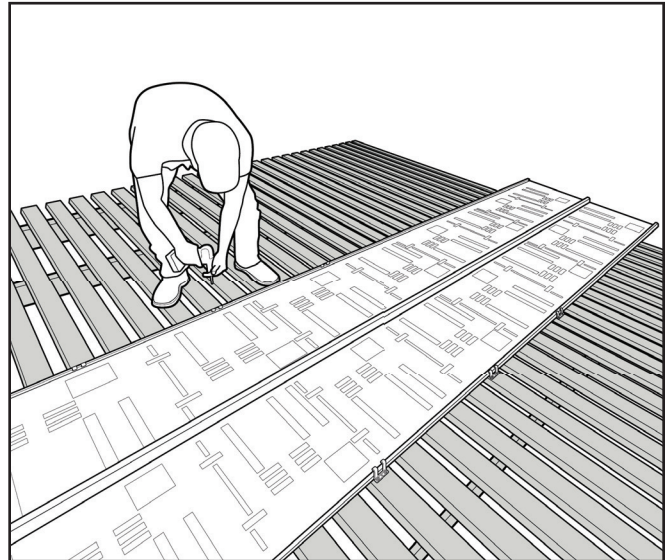
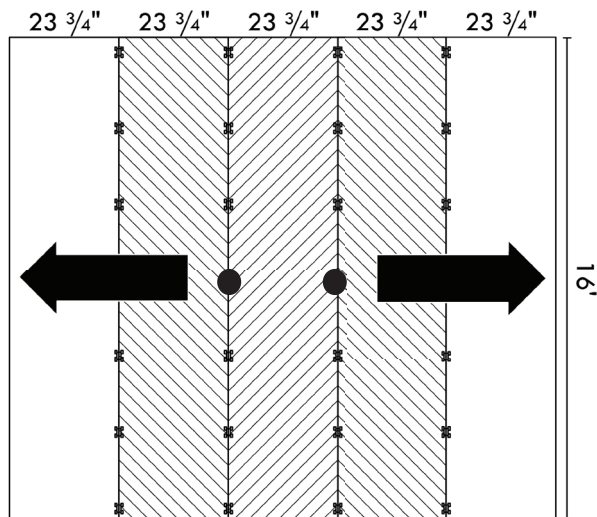


- D.** To prevent uplift, install clips closest to the top and bottom edge of the sheet just behind flute covers.



6. Place Next Sheet in Metal Clips

Continue installing sheets from the middle towards the outside (see below).



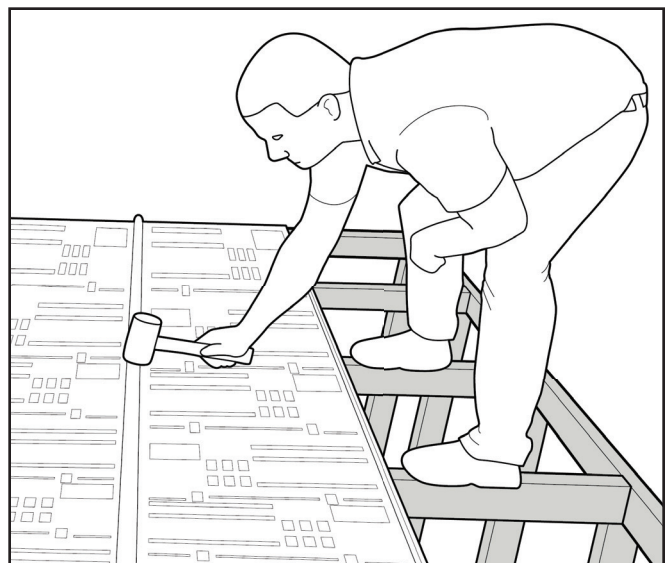
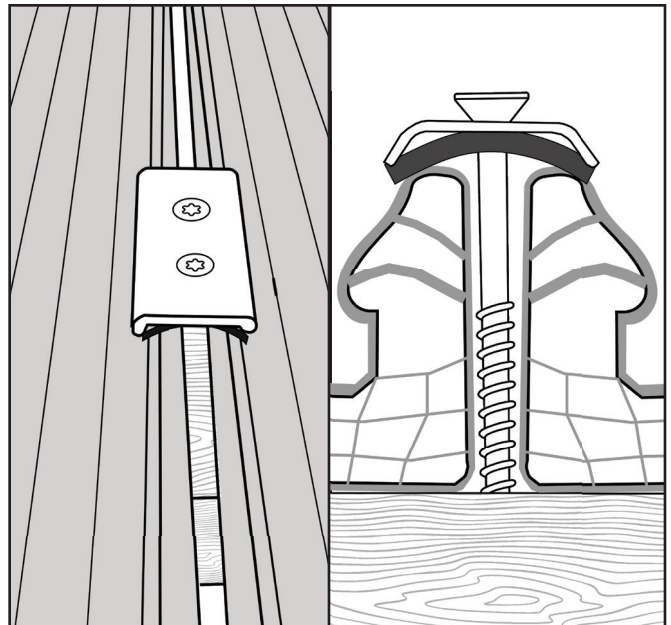
Install Anchor

In the middle of each sheet, screw the anchor into the purlins or shade slats. The screws will be positioned between the standing seams of the sheets. **THE SCREWS WILL PENETRATE THE WOOD BELOW BUT WILL NOT PENETRATE THE POLYCARBONATE SHEET.**

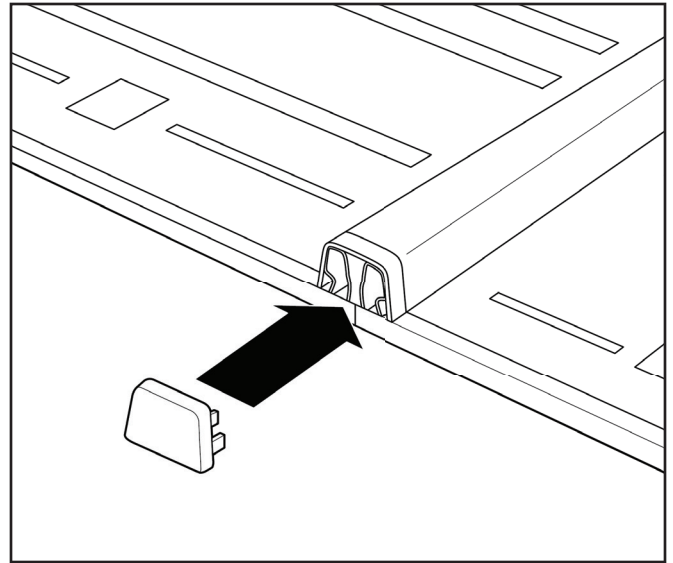
Remember, this is the space you skipped installing a clip in step 5.

The stopper is placed to stop the sheets from shifting up or down over time.

Install the connector caps as you attach each sheet. *Use a rubber mallet to tap down connector caps that fit snugly. You will hear a snap when the connector cap is securely placed.*



7. Install the end caps to the side that is prepped with flute covers and vent tape.

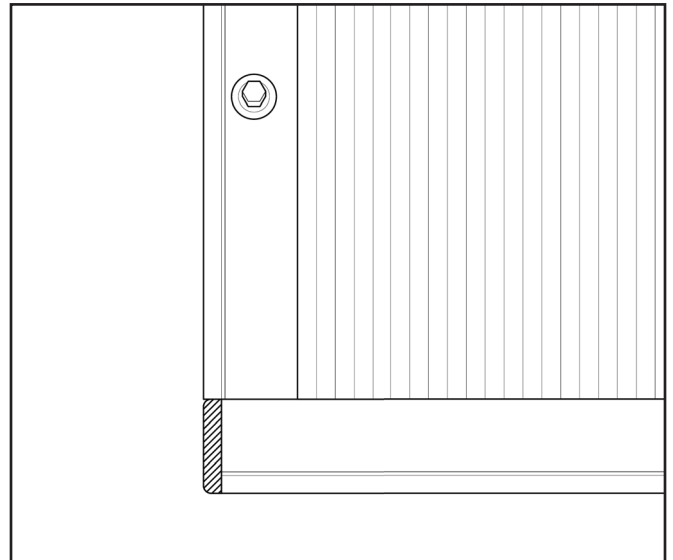


8. Install Outside Sheets

When trimming the sheets, note that the last two sheets and flute covers will need to account for the width of the edge profile so these sheets (with profile) fit flush to the edge of your structure.

When trimming the outside sheet, account for the 1/2" extra width of the edge profile by subtracting 1/2" from your total measurement. (In example, if you need a 20" sheet to bring the sheet flush with the edge of the structure, cut that sheet to 19-1/2" to account for the edge profile)

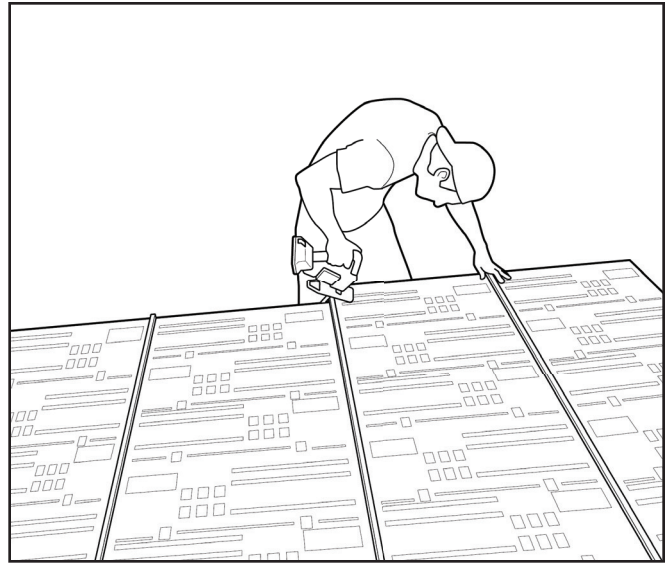
Reference the photo to the right. You will make the same calculation with your last flute cover.



9. Cut sheets and Connector Caps to the Correct Length

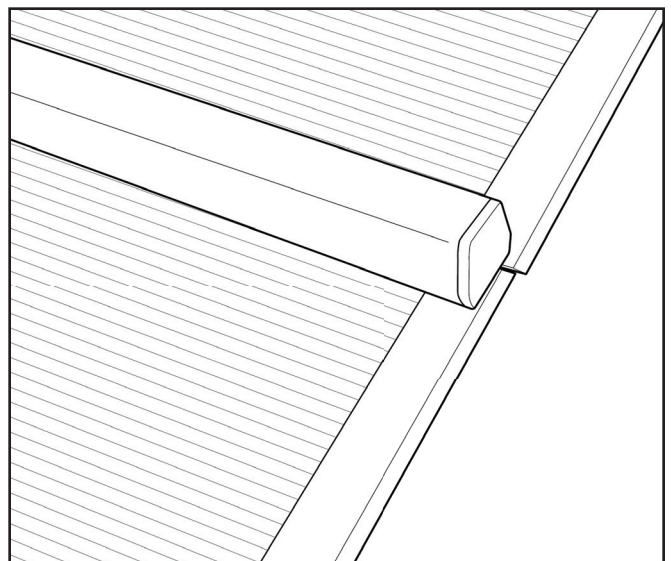
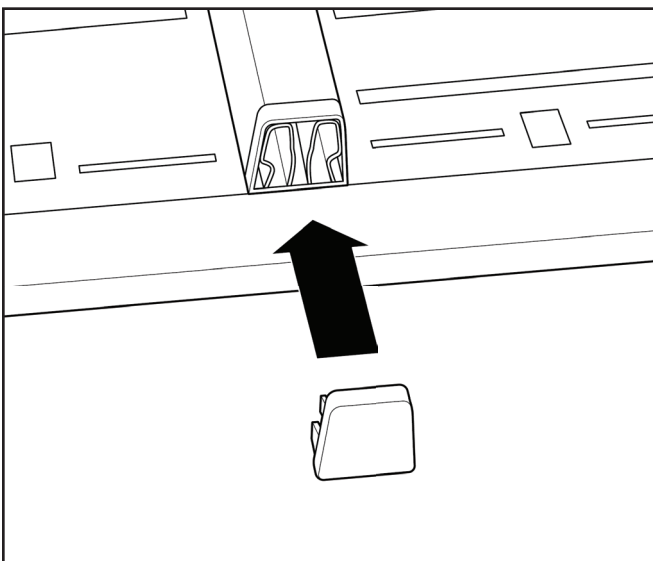
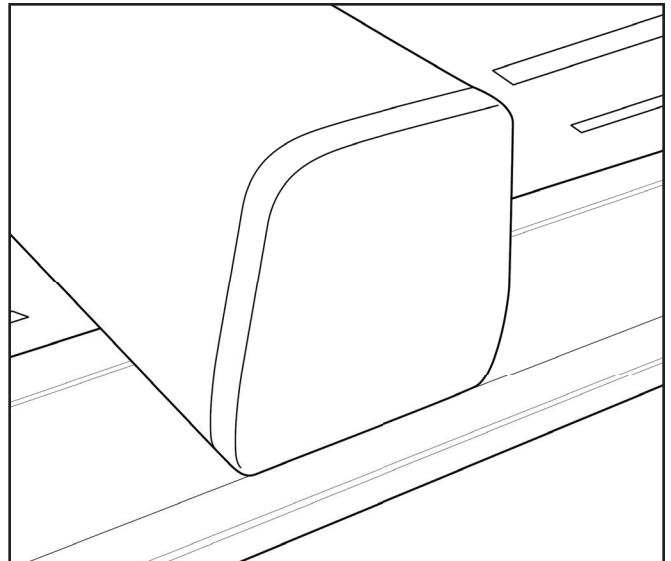
Wait until all the sheets and connector caps are installed to cut the material to desired length. Account for the sheet to extend 1" - 3" past the last metal clip on the side with the lowest elevation. See step 5D. This allows for adequate drainage.

The installers should be using a ladder and cutting from there.



10. Install Accessories

- A. Attach vent tape to the cut end.
Refer to step 3 for picture reference.
- B. Attach flute cover over vent tape.
Refer to step 4 for picture reference.
- C. Snap end caps to the cut sheet connectors.

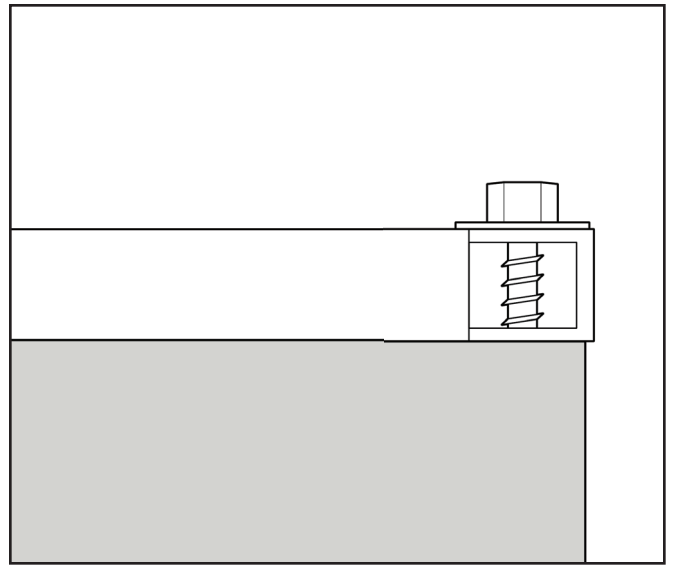


11. Install Edge Profile

Install edge profile screws through u-profile gap. For easy reference, you can line them up with the clips on the sheet. **REMEMBER!** You will not install screws through the sheet.

Pro-Tip

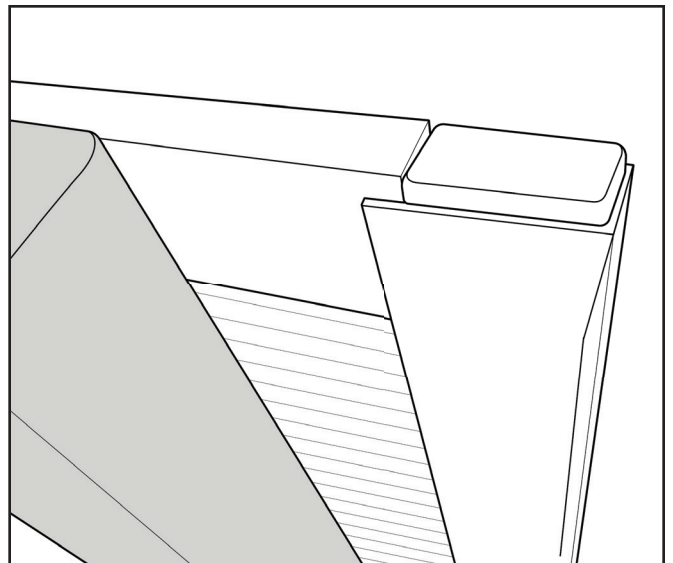
The edge profile will only go on the panel 1/2 way to give room to the mounting screw.



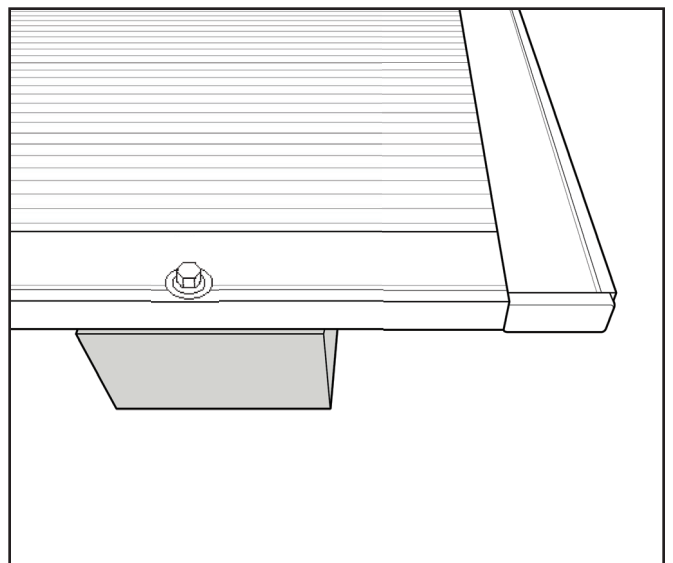
12. Finish Corners

- A. Cut the edge U-profile a 3/4" short to the edge of the outside panels, and place edge U-profile over the sheet edge between the top and bottom flute covers.

To create a flush corner, extend the flute cover a 3/4" beyond the edge of the outside panels.



- B. Insert corner cap plug into flute covers to finish off corners



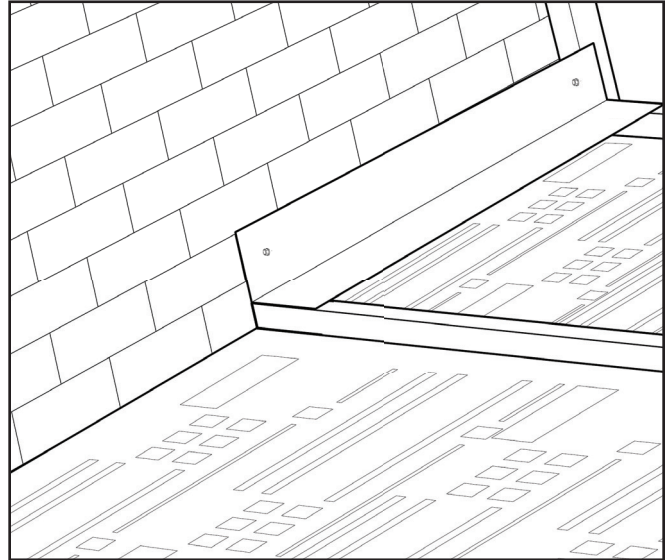
Scan the QR code to watch a short video demonstrating step 12.

13. ** If installing the Hercules System up to a vertical wall:

Install flashing based on your structure.

Keep in mind, the sheets will expand and contract up to an 1/8" for every 4' of sheet length. **DO NOT butt the sheets up to your structure or home. ALWAYS leave a space.**

Speak to your account representative if you have any questions. Foam closure strips and flashing clips are available upon request to assist with flashing.

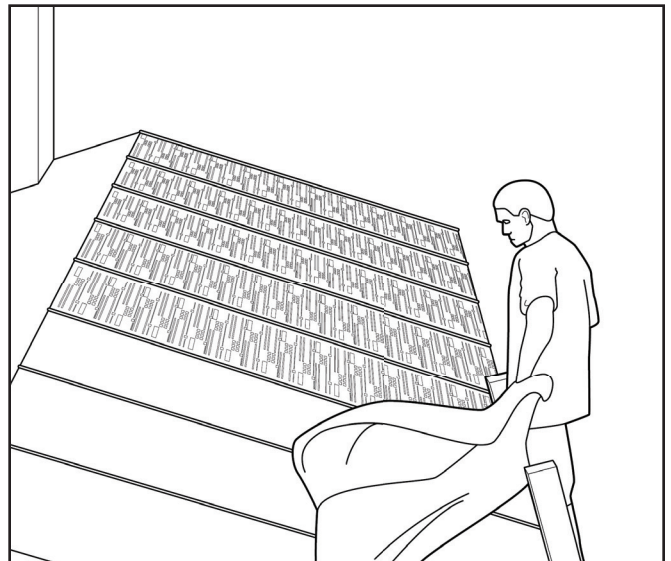


STOP

Before moving to the last step, make sure you are completely done with the install and flashing.

14. Remove Logo Film off Panels

Do not let the sun bake the film onto the sheet.



Dallas / Fort Worth

972.354.3191
2356 Merrell Rd.
Dallas, TX 75229

Houston

713.957.8541
9999 W Sam Houston Pkwy N
Houston, TX 77064

Central Texas

512.836.3629
21015 I-35, Suite #100
Kyle, TX 78640

Denver

720.738.9309
500 W 53rd Pl.
Denver, Colorado 80216

Oklahoma

405.506.0112
7424 Melrose Ln.
Oklahoma City, OK 73127

South Florida

786.697.3424
1418 NW 82 Ave.
Doral, FL 33126